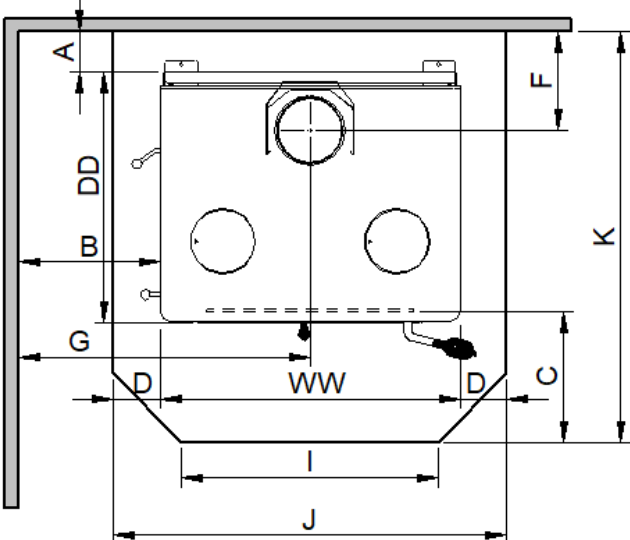
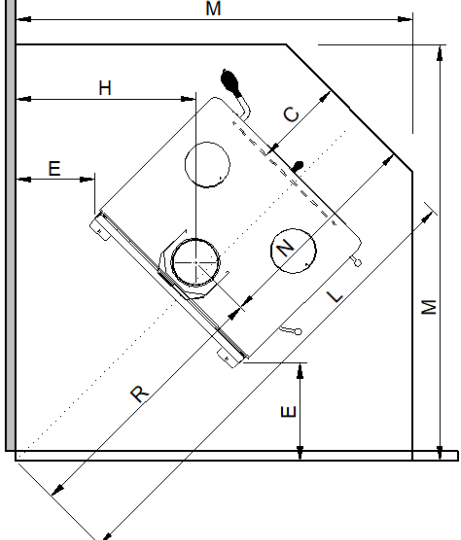


Big Bakers Oven - Technical Specifications

(These instructions must be used in conjunction with the "Installation Instructions" for Big Bakers Oven)

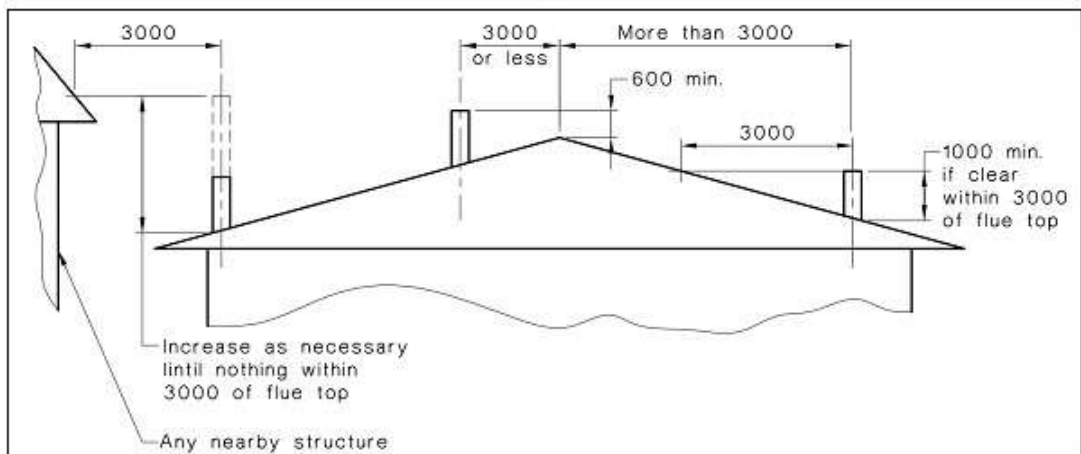
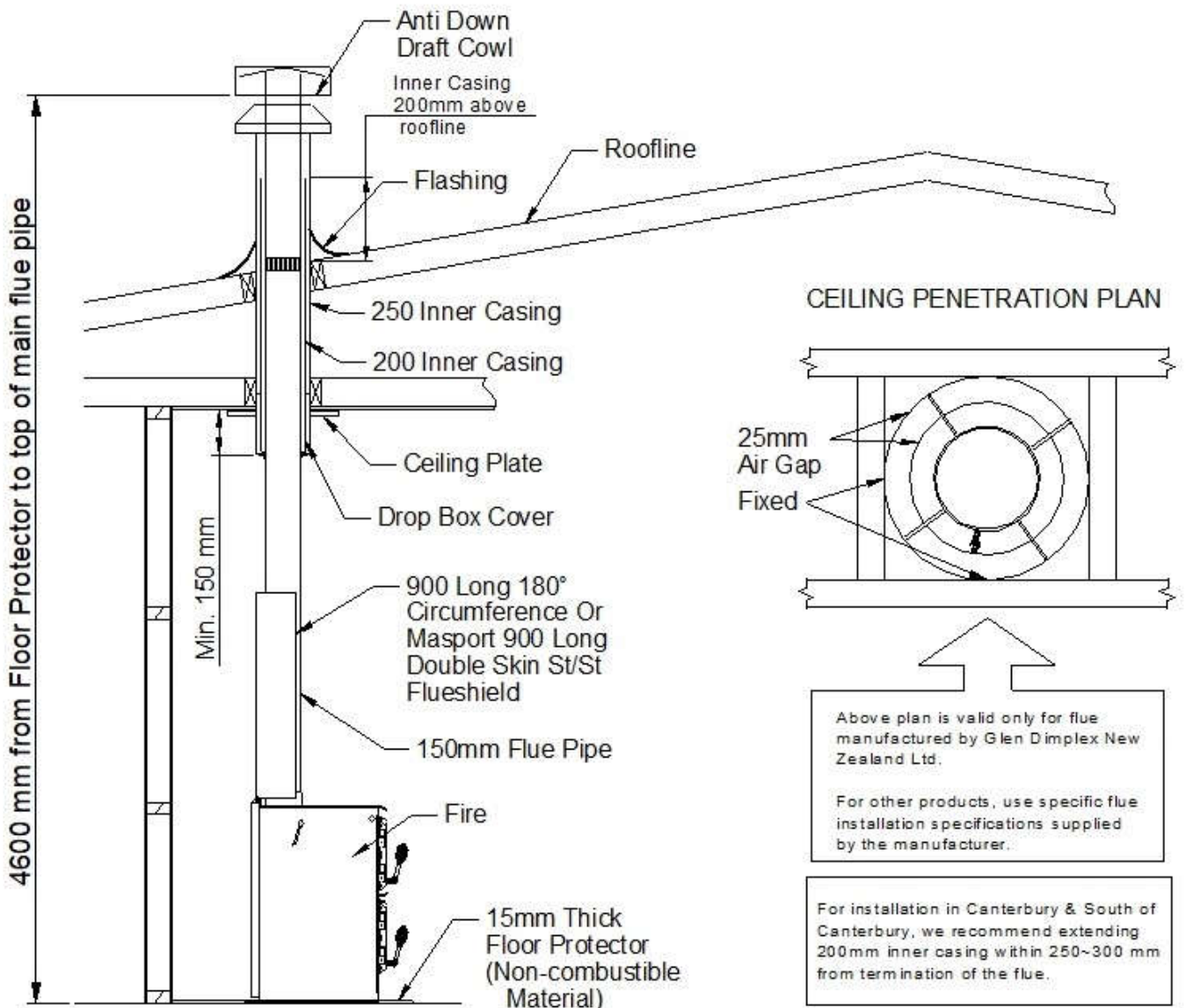
Nectre Big Bakers Oven model have been tested & complies to New Zealand National Environmental Safety Test Standard - AS/NZS 2918:2001	
Overall Dimensions	690mm Wide x 573 mm Deep x 828mm High
Weight	220 kg
Big Bakers Oven is a cooking appliance. Consult your local council for clarification on rules appertaining to the installation of wood-fired cooking appliances.	
Approx. Heating Capacity	Medium to Large Homes (upto 3 bedrooms)
Flue Shield	900mm Long 150° arc or 900mm long Masport Stainless Steel Double Flue Shield
Flue System	Standard 4.2M Long, 150mm Masport Flue System with a dropbox or flue system with a dropbox that has been tested and comply with AS/NZS 2918:2001, Appendix F.
Floor Protector Requirement	Minimum 15mm thick Floor Protector made of <ul style="list-style-type: none"> - 15mm non-combustible fiber cement board or - Combination of 7mm tile underlay & 8mm tiles

Clearances to Combustibles

Parallel Installation		Corner Installation	
			
A- Rear Panel to Rear Wall	125 mm	C- Glass to Floor Protector Front	300 mm
B- Cooktop Edge to Side Wall	325 mm	E- Cooktop Corner to Wall	275 mm
C- Glass to Floor Protector Front	300 mm	H- Flue Centre to Wall	613 mm
D- Floor Protector Side	100 mm	L- Floor Protector Diagonal	1582 mm
F- Flue Centre to Rear Wall	258 mm	M- Floor Protector Side	1327 mm
G- Flue Centre to Side Wall	670 mm	N- Flue Centre to Floor Protector Front	715 mm
I- Floor Protector Front Edge	590 mm	R- Flue Centre to Wall Corner	867 mm
J- Floor Protector Width	900 mm	WW- Overall Width of Fire	690 mm
K- Floor Protector Depth	973 mm	DD- Overall Depth of Fire	573 mm
		HH- Overall Height of Fire	828 mm

Seismic Restraint - In New Zealand, it is required that the wood burner and floor protector are secured to prevent shifting in the event of an earthquake. This is best done by fastening the wood burner right through the protector to the floor, using 8mm DynaBolts or 8mm coach screws or equivalent toggle fasteners for wooden floors of appropriate lengths. Seismic holes are at the rear of the burner.

Standard 4.2m Long, 150mm Masport Flue System with Dropbox
 The Masport flue system has been tested and complies to AS/NZS 2918:2001 Appendix F.



If a flue exits out of the roof within 3 meters from the ridge, the outer shield height shall be not less than 600mm above the ridge. If the flue exits further than 3 meters out from the roofridge then it must project at least 1000mm above roof penetration. This dimension may need increased to ensure that the top of the flue is at least 3 meters away from the roof or other obstructions when measured horizontally.

The flue pipe shall extend not less than 4.6m above the top of the floor protector. Due to factors such as roof pitch, predominant winds, nearby obstructions (ie. trees, buildings), and fire placement, flue lengths and hats/cowls may vary.